

WILSON TOOL CARTS

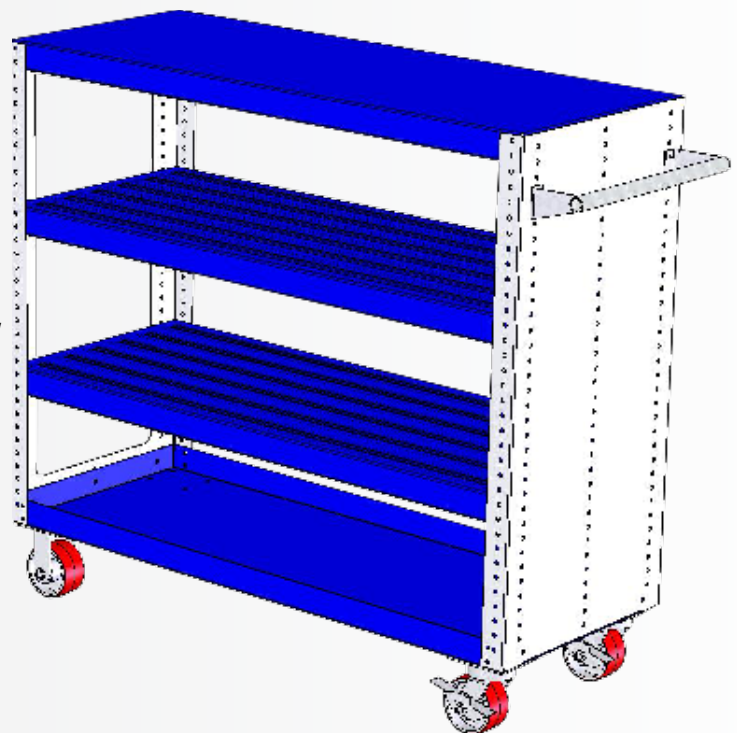
WILSON TOOL PRESS BRAKE CARTS



The Wilson Tool Carts For Press Brake

In pursuit of increased productivity and improved performance, the Wilson Tool carts are designed to store a large number punches and dies in a relatively small amount of space. With their heavy duty construction, these carts will stand up to the harshest work environments. Wilson Tool carts also offer a flexible selection of standard components and cost-effective custom configurations that will allow you to customize your environment to meet your specific needs.

- Heavy duty 14 gauge construction
- Powder coated paint for durability
- 700 pound casters (2800 total capacity per cart)
- Shelves adjustable to 1" increments
- Tooling is highly visible and easy to retrieve
- Open storage for easy identification
- Configured for set-up, mobile crib, and stationary crib applications



Lean Tip: Get in the Zone

Work is handled most efficiently when kept within areas defined as "primary reach zones". These are the horizontal and vertical areas that a worker can reach with minimal arm, head, or trunk movement. Moving away from these primary zones requires more movement, and ultimately more time. Wilson Tool's tool carts enable operators to better stay within their reach zone, resulting in greater efficiency and higher productivity.

Call 1-800-445-4518 or visit www.wilsontool.com for more information.



WILSON TOOL CARTS

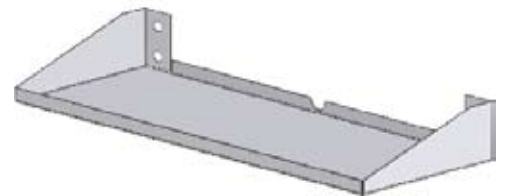
The Wilson Tool Carts and Storage Units

Available in four standard heights, the cart/storage units and the components offered to maximize the workspace are listed below.

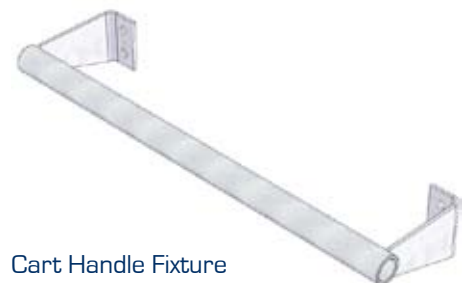
| | Wilson Part # |
|---|---------------|
| KIT PRICING | |
| American Cart Kit | 901C |
| European Cart Kit 2v/1v Die Shelf | 901C |
| European Cart Kit QC 1v Die Shelf | 901C |
| WT Cart Kit | 901C |
| SIDE PANELS [sold as a set of 2] | |
| Cart 36" Tall Side Panels, 1 Side Open | 90028 |
| Cart 48" Tall Side Panels, 1 Side Open | 90029 |
| Storage 60" Tall Side Panels, 1 side open | 90030 |
| Storage 72" Tall Side Panels, 1 side open | 90031 |
| WHEEL BASES [includes one handle] | |
| Cart Wheel Base 18" x 36" | 90036 |
| Cart Wheel Base 18" x 42" | 90037 |
| Cart Wheel Base 18" x 46" | 90038 |
| SHELVES [includes hardware] | |
| Cart Blank Shelf 18" x 36" | 90039 |
| Cart Blank Shelf 18" x 42" | 90040 |
| Cart Blank Shelf 18" x 46" | 90041 |
| Cart European 13mm PUnch Self 36" | 90042 |
| Cart European 2V/L1V Die Shelf 36" | 90043 |
| Cart 14mm European N1V Die Shelf 36" | 90044 |
| Cart American 0.500" Punch/Die Shelf 42" | 90045 |
| Cart WT 0.787" Punch Shelf 46" | 90046 |
| Cart WT 0.512" Die Shelf 46" | 90047 |
| ACCESSORIES | |
| Side Attachment Tool Tray | 90054 |
| Assembly Bolt Kit (Shelves) - extra | 90058 |
| Cart Handle Fixture - extra | 90059 |



Shelves



Side Attachment Tool Tray



Cart Handle Fixture

For more information about the Wilson Tool Carts, call 1-800-445-4518 or visit www.wilsontool.com.